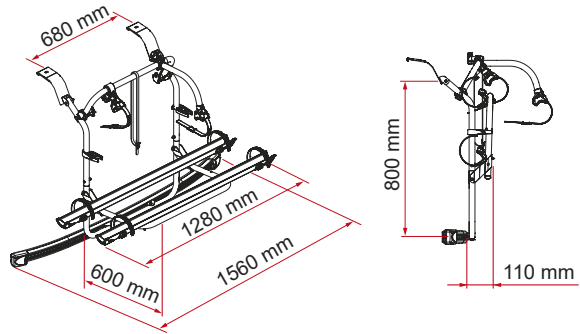




# Ford Transit Custom Nugget / Nugget Plus

Designed for the vehicle models Ford Transit Custom Nugget / Nugget Plus (≥ 2012) raised roof (highroof).



### GENERAL INFORMATION

- Can carry up to 3 standard bikes or 2 E-Bikes
- Delivered as standard with 2 Rail Plus, 1 Bike-Block Pro S 1 and 1 Bike-Block Pro S 3
- The tailgate can be opened with the Carry-Bike mounted without bikes
- Suitable for:
  - Ford Transit Custom Nugget / Nugget Plus (≥ 2012) raised roof (highroof)

### TECHNICAL FEATURES

- Weight: 8,4kg
- Maximum loading weight: 50kg
- Distance between rails: 15cm
- It adheres to the lower part of the tailgate thanks to the calendered profile that follows the shape of the vehicle
- Easy installation with brackets, that are delivered as standard, without drilling the vehicle

### INSTALLATION OF THE ADDITIONAL RAILS

The diagram suggests the combination between additional Bike-Block and Rail to safely transport up to 3 bikes

THIRD BIKE\*

#### BIKE-BLOCK PRO S 2

Item No. 08831A01-

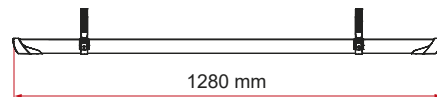
min 240 mm - max 280 mm



+

#### RAIL PLUS

Item No. 98656M566



\* It is advisable to load the lightest bicycle on the outer rail

Description	Item No.	EAN code	Third bike	
			Bike-Block	Rail
Ford Transit Custom Nugget / Nugget Plus	02096-07A	8004815438272	08831A01-	98656M566
Description	Weight	Max load	Bikes carried standard	Bikes carried max
Ford Transit Custom Nugget / Nugget Plus	8,4kg	50kg	2 / 3	2

### ACCESSORIES

- Bike-Block Pro S / S D
- Rail Plus
- Rail Premium / S
- Bike Frame Adapter
- Cable-Lock
- Licence Plate Carrier
- Alu / Plastic Signal



Installation

