



Aqua 8

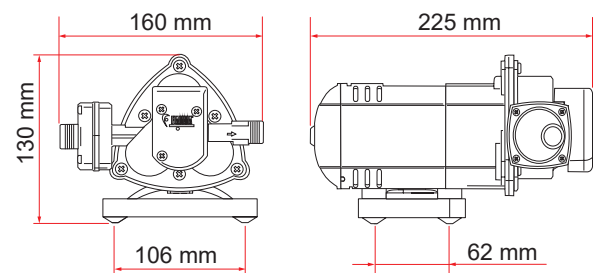
GENERAL INFORMATION

- Self priming diaphragm pump
- Materials:
 - Body: PP
 - Valves: Silicone
 - Membrane: NBR
 - Filter: Inox



TECHNICAL FEATURES

- Incorporated filter and anti vibration Silent Plate included
- Pumps water vertically over 3m with no priming
- An automatic pressure switch starts and stops the pump by opening and closing the valve
- Angle and straight connectors for \varnothing 13mm pipes included



Technical features	Aqua 8 (7 litres)	Aqua 8 (10 litres)
Weight	1,5kg	1,5kg
Power Supply	12V ---	12V ---
Absorption	1,4A	3,4A
Max flow l/min. at 0 bar	7 l/min	10 l/min
Noise level	55/60db	65/70db
Pressure switch interv.	1,5Bar - 21,7Psi	1,5Bar - 21,7Psi

Description	Weight	Item No.	EAN code
Aqua 8 (7 litres)	1,5kg	01216C01-	8004815000202
Aqua 8 (10 litres)	1,5kg	01216B01-	8004815280826

ANTI VIBRATION SILENT PLATE INCLUDED



Installation



OMOLOGATIONS

- DM 174/2004
- EU 10/2011
- DM 21/03/1973



Filter replacement



Pressure switch replacement



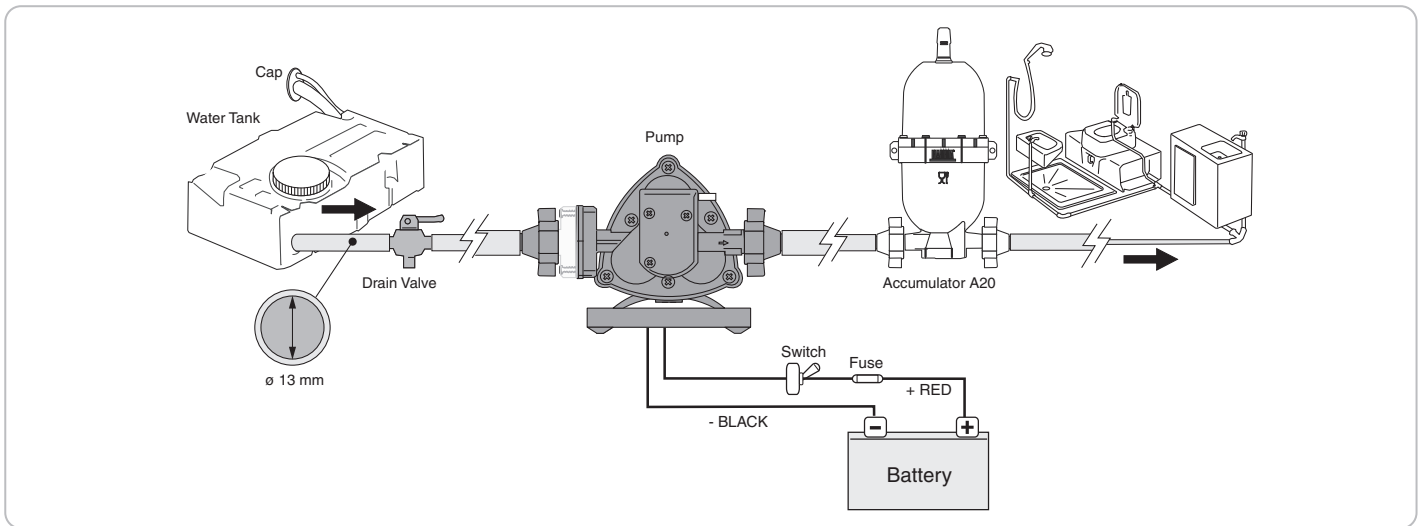
Valves kit replacement



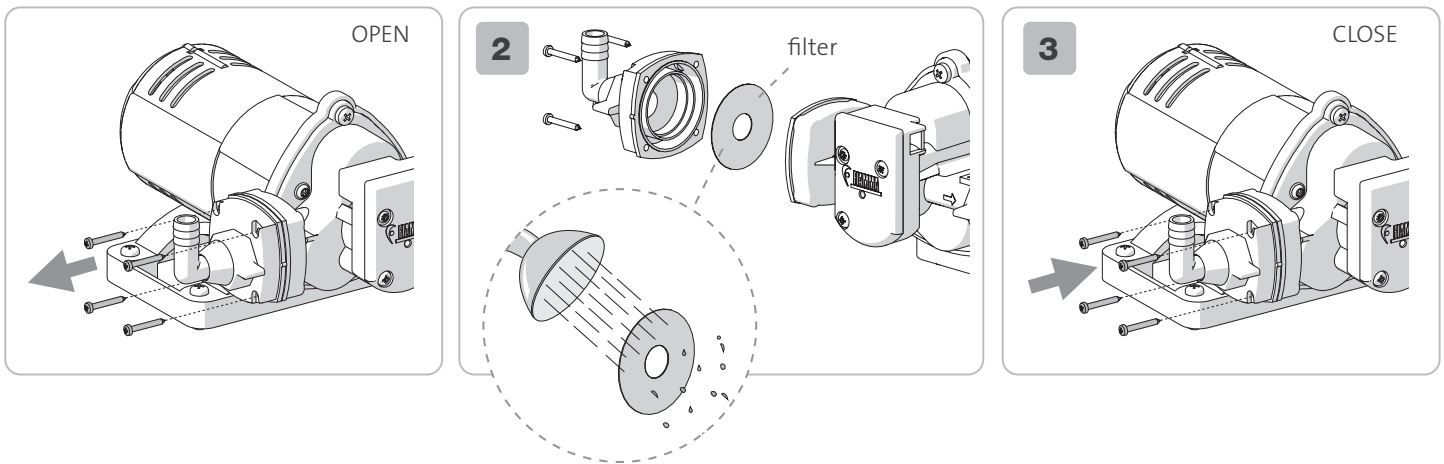
Transmission kit replacement



MOUNTING SCHEME - AQUA 8



FILTER CLEANING - AQUA 8



TECHNICAL FAULT- AQUA 8

Problem	Solution
The pump does not stop running	Check the power supply: at least 12V
	Check for leaks in the water circuit.
	Adjust the pressure switch by turning the adjuster screw at most ¼ turn counterclockwise.
The pump runs noisily	Check for vibrations in the water pipes.
	An unstable installation surface will accentuate noise and vibrations.
	Make sure the mounting feet are not compressed too much.
The pump does not run evenly	Check the filter for obstruction.
	Check for obstructions in the pipes.
	Check for detritus in the in/out valves and that they have not lost their elasticity.
The pump does not start	Check the electrical connections.
	Check for frozen water in the pump.
The pump is leaking	Check for loose screws in the head pressure switch or internal membrane.
	Check for tears in the internal membrane.