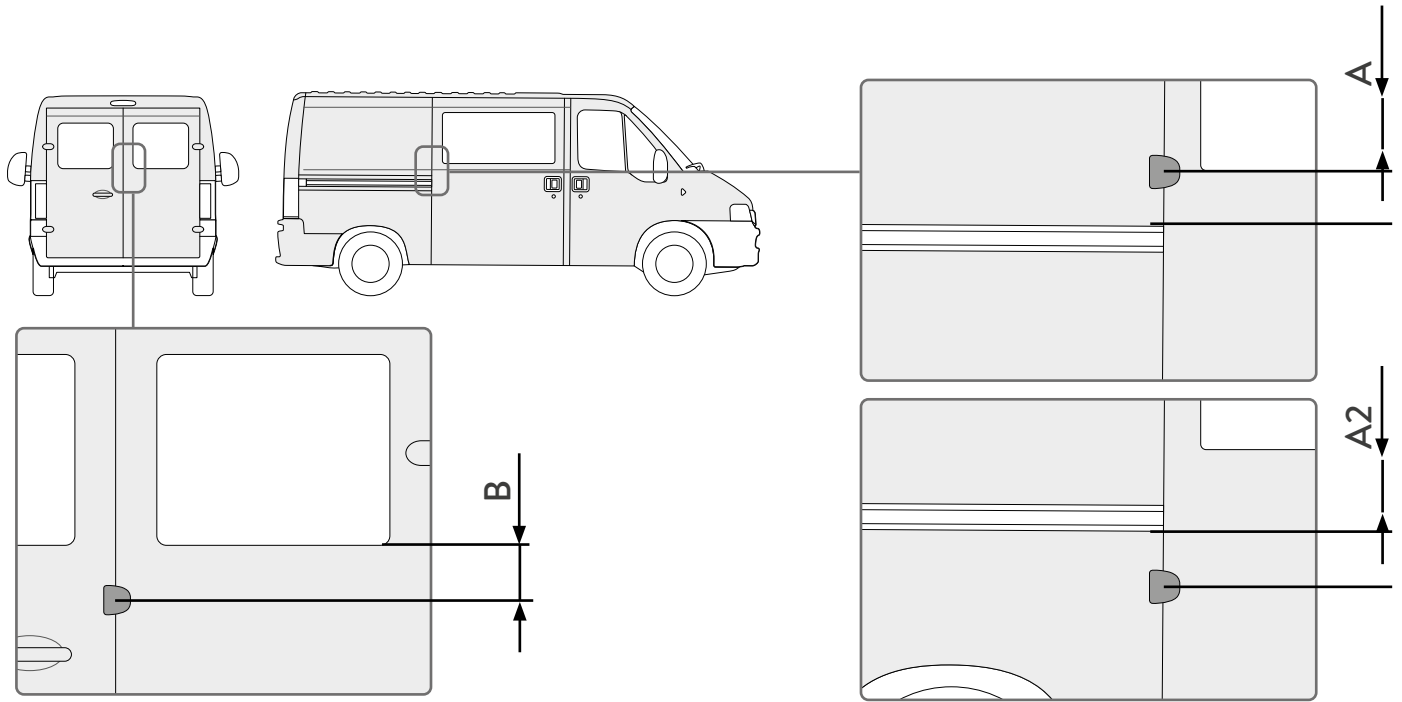


# Safe Door Van

## Compatible vehicles and recommended installation heights



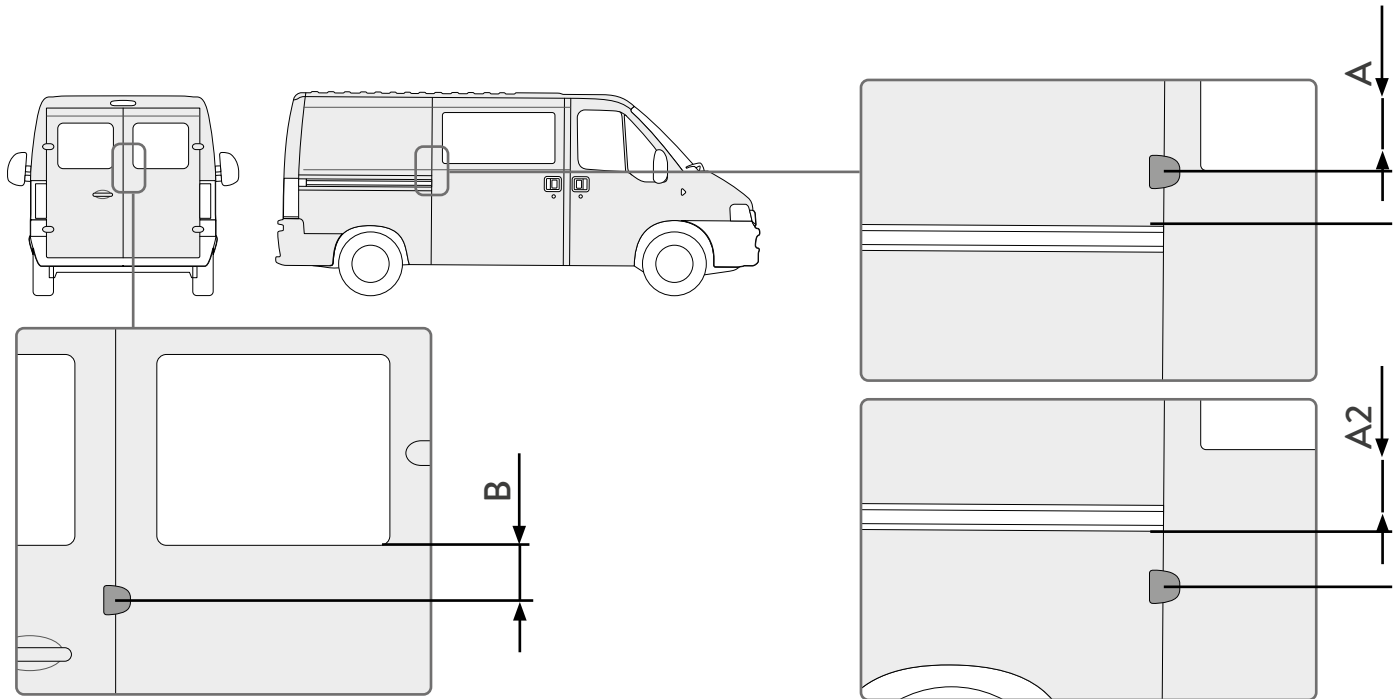
Vehicle	Side door A	Side door A2	Tailgate B
Citroën Jumper ≥ 2014	7 cm	-	10 cm
Fiat Ducato ≥ 2006	7 cm	-	10 cm
Ford Transit ≥ 2019	29,5 cm	-	15,5 cm
Peugeot Boxer ≥ 2006	7 cm	-	10 cm
Mercedes Sprinter ≥ 2018	-	7,5 cm	27 cm
Opel Movano ≥ 2014	7 cm	-	10 cm


Vehicle	Side door A	Side door A2	Tailgate B
Citroën Jumpy / Spacetourer ≥ 2016	-	26 cm	-
Fiat Talento ≥ 2016	-	23 cm	-
Ford Transit Custom ≥ 2018 ≤ 2023	-	8,5 cm	-
Ford Transit / Tourneo Custom ≥ 2024	-	5 cm	-
Mercedes Vito ≥ 2014	-	5,5 cm	-
Nissan NV300 ≥ 2014	-	23 cm	-
Opel Vivaro ≥ 2019	-	26 cm	-
Peugeot Expert ≥ 2016	-	26 cm	-
Renault Trafic ≥ 2014	-	23 cm	-
VW Transporter ≥ 2015 ≤ 2025	-	23 cm	-
VW Transporter ≥ 2025	-	5 cm	-


Measures being defined for vehicles: Iveco Daily ≥ 2014, Nissan NV400 ≥ 2011, Renault Master ≥ 2010 ≤ 2024, VW Caddy ≥ 2015, VW Crafter ≥ 2017

## Safe Door Van

### Kompatible Fahrzeuge und empfohlene Einbauhöhen



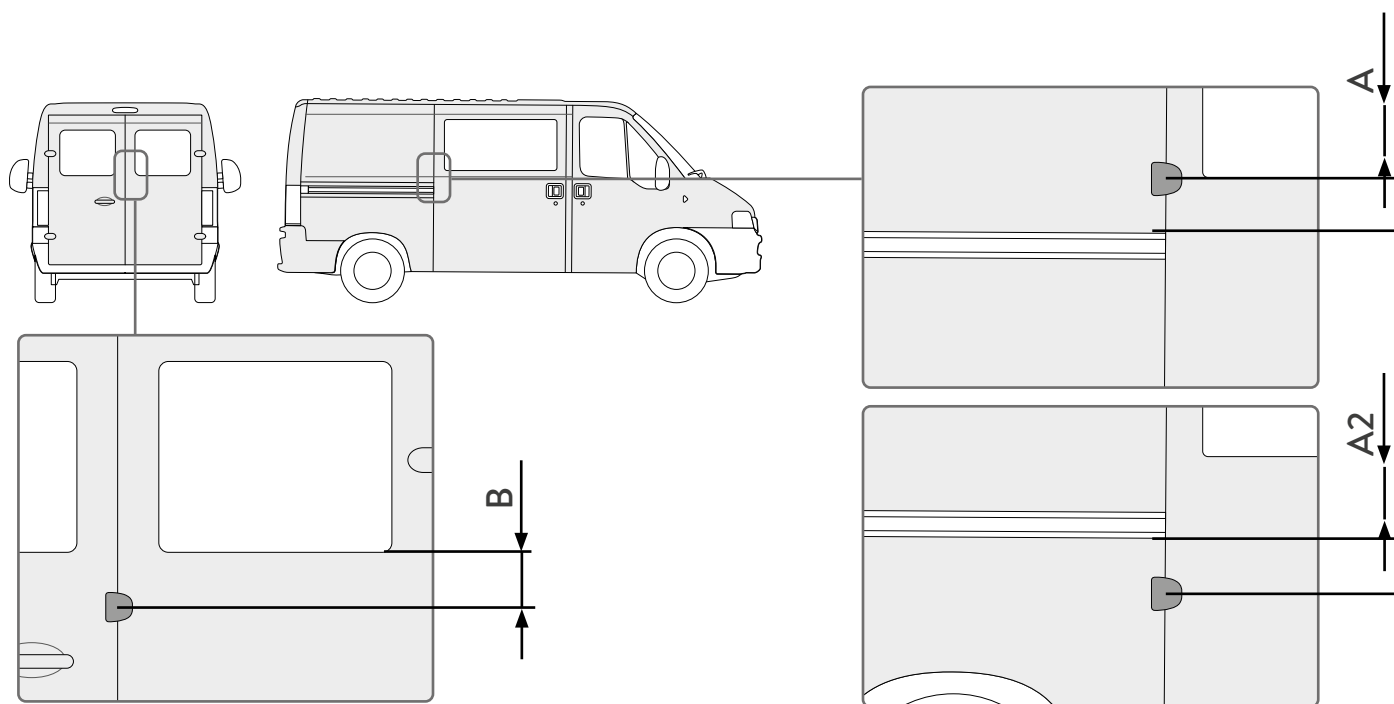
Fahrzeug 	Seitentür A	Seitentür A2	Heckklappe B
Citroën Jumper ≥ 2014	7 cm	-	10 cm
Fiat Ducato ≥ 2006	7 cm	-	10 cm
Ford Transit ≥ 2019	29,5 cm	-	15,5 cm
Peugeot Boxer ≥ 2006	7 cm	-	10 cm
Mercedes Sprinter ≥ 2018	-	7,5 cm	27 cm
Opel Movano ≥ 2014	7 cm	-	10 cm


Fahrzeug 	Seitentür A	Seitentür A2	Heckklappe B
Citroën Jumpy / Spacetourer ≥ 2016	-	26 cm	-
Fiat Talento ≥ 2016	-	23 cm	-
Ford Transit Custom ≥ 2018 ≤ 2023	-	8,5 cm	-
Ford Transit / Tourneo Custom ≥ 2024	-	5 cm	-
Mercedes Vito ≥ 2014	-	5,5 cm	-
Nissan NV300 ≥ 2014	-	23 cm	-
Opel Vivaro ≥ 2019	-	26 cm	-
Peugeot Expert ≥ 2016	-	26 cm	-
Renault Trafic ≥ 2014	-	23 cm	-
VW Transporter ≥ 2015 ≤ 2025	-	23 cm	-
VW Transporter ≥ 2025	-	5 cm	-

Für die folgenden Fahrzeuge sind die Maßangaben noch in Bearbeitung und folgen:  
 Iveco Daily ≥ 2014, Nissan NV400 ≥ 2011, Renault Master ≥ 2010 ≤ 2024,  
 VW Caddy ≥ 2015, VW Crafter ≥ 2017


## Safe Door Van

### Véhicules compatibles et hauteurs d'installation recommandées



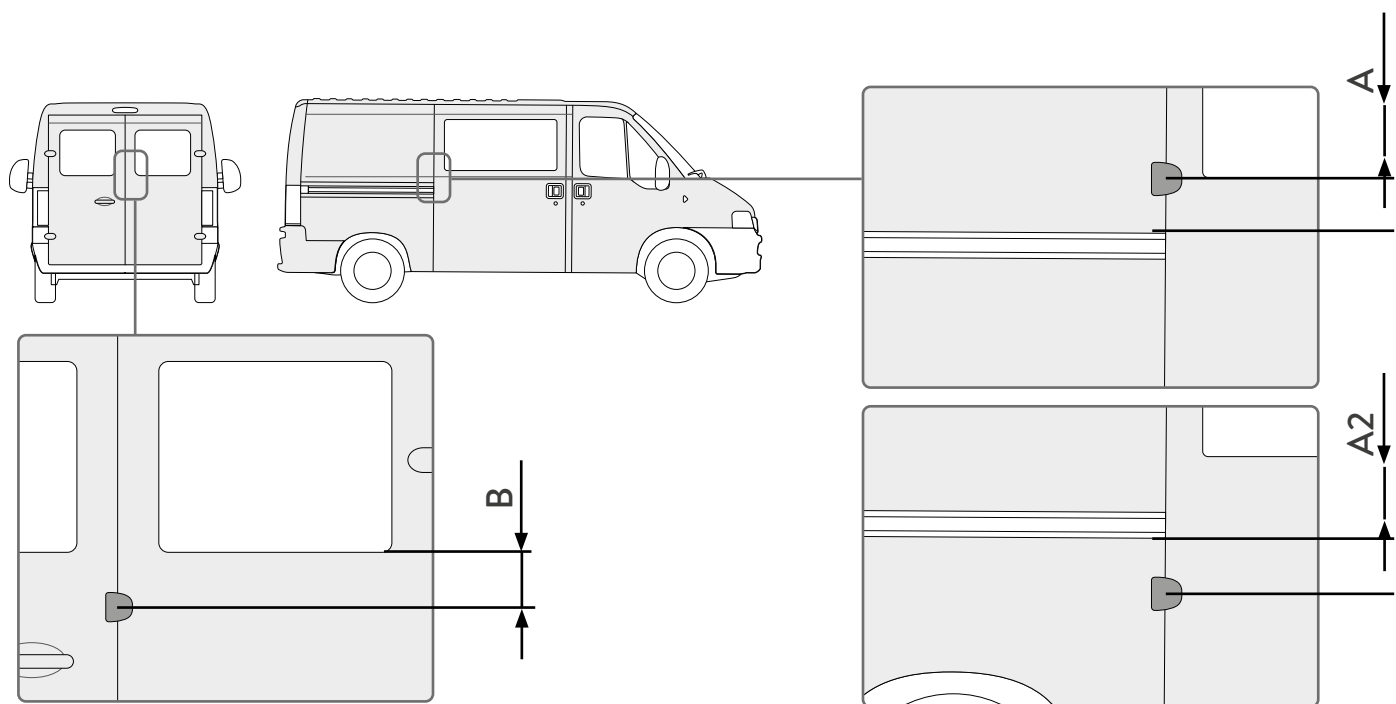
Véhicule 	Porte latérale A	Porte latérale A2	Hayon arrière B
Citroën Jumper ≥ 2014	7 cm	-	10 cm
Fiat Ducato ≥ 2006	7 cm	-	10 cm
Ford Transit ≥ 2019	29,5 cm	-	15,5 cm
Peugeot Boxer ≥ 2006	7 cm	-	10 cm
Mercedes Sprinter ≥ 2018	-	7,5 cm	27 cm
Opel Movano ≥ 2014	7 cm	-	10 cm

Mesures en cours d'élaboration pour les véhicules: Iveco Daily ≥ 2014, Nissan NV400 ≥ 2011, Renault Master ≥ 2010 ≤ 2024, VW Caddy ≥ 2015, VW Crafter ≥ 2017

Véhicule 	Porte latérale A	Porte latérale A2	Hayon arrière B
Citroën Jumpy / Spacetourer ≥ 2016	-	26 cm	-
Fiat Talento ≥ 2016	-	23 cm	-
Ford Transit Custom ≥ 2018 ≤ 2023	-	8,5 cm	-
Ford Transit / Tourneo Custom ≥ 2024	-	5 cm	-
Mercedes Vito ≥ 2014	-	5,5 cm	-
Nissan NV300 ≥ 2014	-	23 cm	-
Opel Vivaro ≥ 2019	-	26 cm	-
Peugeot Expert ≥ 2016	-	26 cm	-
Renault Trafic ≥ 2014	-	23 cm	-
VW Transporter ≥ 2015 ≤ 2025	-	23 cm	-
VW Transporter ≥ 2025	-	5 cm	-

## Safe Door Van

### Vehículos compatibles y alturas de instalación recomendadas



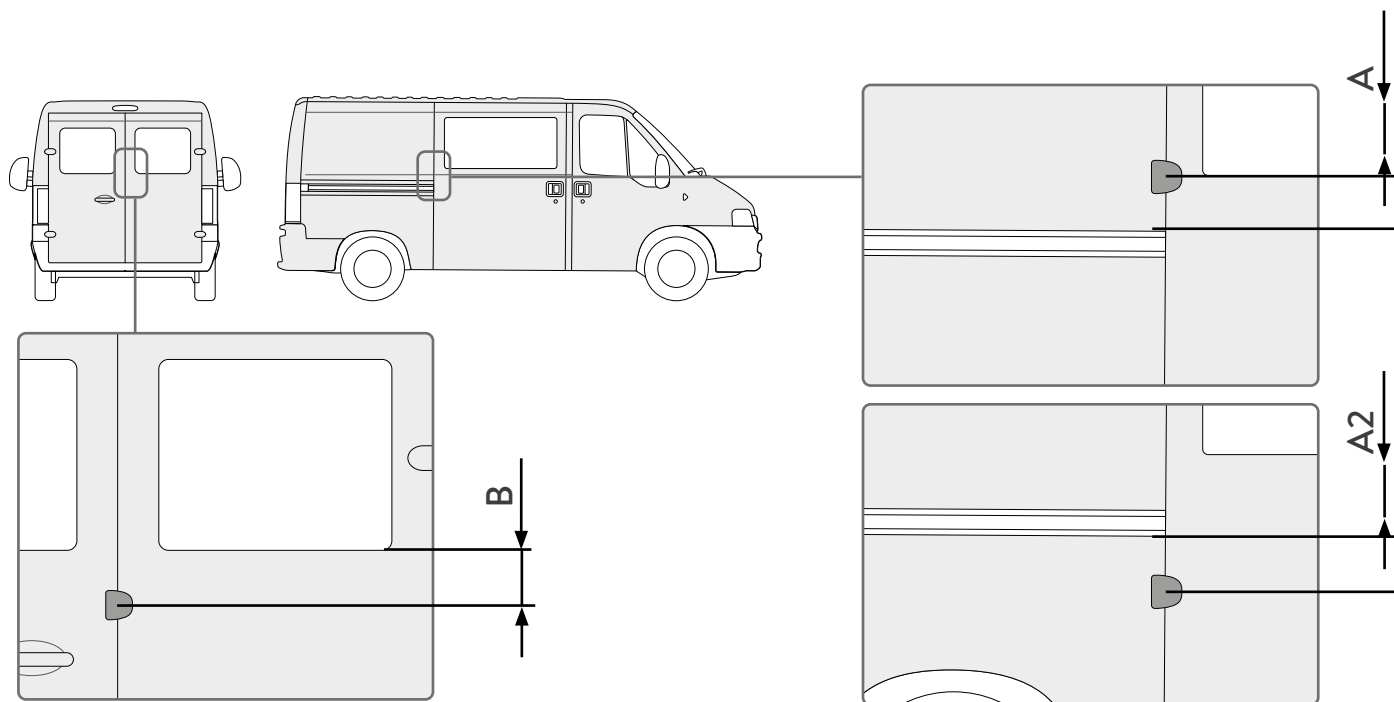
Vehículos 	Puerta lateral A	Puerta lateral A2	Portón trasero B
Citroën Jumper ≥ 2014	7 cm	-	10 cm
Fiat Ducato ≥ 2006	7 cm	-	10 cm
Ford Transit ≥ 2019	29,5 cm	-	15,5 cm
Peugeot Boxer ≥ 2006	7 cm	-	10 cm
Mercedes Sprinter ≥ 2018	-	7,5 cm	27 cm
Opel Movano ≥ 2014	7 cm	-	10 cm

Medidas en fase de definición para los vehículos: Iveco Daily ≥ 2014, Nissan NV400 ≥ 2011, Renault Master ≥ 2010 ≤ 2024, VW Caddy ≥ 2015, VW Crafter ≥ 2017

Vehículos 	Puerta lateral A	Puerta lateral A2	Portón trasero B
Citroën Jumpy / Spacetourer ≥ 2016	-	26 cm	-
Fiat Talento ≥ 2016	-	23 cm	-
Ford Transit Custom ≥ 2018 ≤ 2023	-	8,5 cm	-
Ford Transit / Tourneo Custom ≥ 2024	-	5 cm	-
Mercedes Vito ≥ 2014	-	5,5 cm	-
Nissan NV300 ≥ 2014	-	23 cm	-
Opel Vivaro ≥ 2019	-	26 cm	-
Peugeot Expert ≥ 2016	-	26 cm	-
Renault Trafic ≥ 2014	-	23 cm	-
VW Transporter ≥ 2015 ≤ 2025	-	23 cm	-
VW Transporter ≥ 2025	-	5 cm	-


## Safe Door Van

### Veicoli compatibili e altezze di installazione consigliate



Veicolo 	Porta laterale A	Porta laterale A2	Portellone B
Citroën Jumper ≥ 2014	7 cm	-	10 cm
Fiat Ducato ≥ 2006	7 cm	-	10 cm
Ford Transit ≥ 2019	29,5 cm	-	15,5 cm
Peugeot Boxer ≥ 2006	7 cm	-	10 cm
Mercedes Sprinter ≥ 2018	-	7,5 cm	27 cm
Opel Movano ≥ 2014	7 cm	-	10 cm

Misure in definizione per i veicoli: Iveco Daily ≥ 2014, Nissan NV400 ≥ 2011, Renault Master ≥ 2010 ≤ 2024, VW Caddy ≥ 2015, VW Crafter ≥ 2017

Veicolo 	Porta laterale A	Porta laterale A2	Portellone B
Citroën Jumpy / Spacetourer ≥ 2016	-	26 cm	-
Fiat Talento ≥ 2016	-	23 cm	-
Ford Transit Custom ≥ 2018 ≤ 2023	-	8,5 cm	-
Ford Transit / Tourneo Custom ≥ 2024	-	5 cm	-
Mercedes Vito ≥ 2014	-	5,5 cm	-
Nissan NV300 ≥ 2014	-	23 cm	-
Opel Vivaro ≥ 2019	-	26 cm	-
Peugeot Expert ≥ 2016	-	26 cm	-
Renault Trafic ≥ 2014	-	23 cm	-
VW Transporter ≥ 2015 ≤ 2025	-	23 cm	-
VW Transporter ≥ 2025	-	5 cm	-